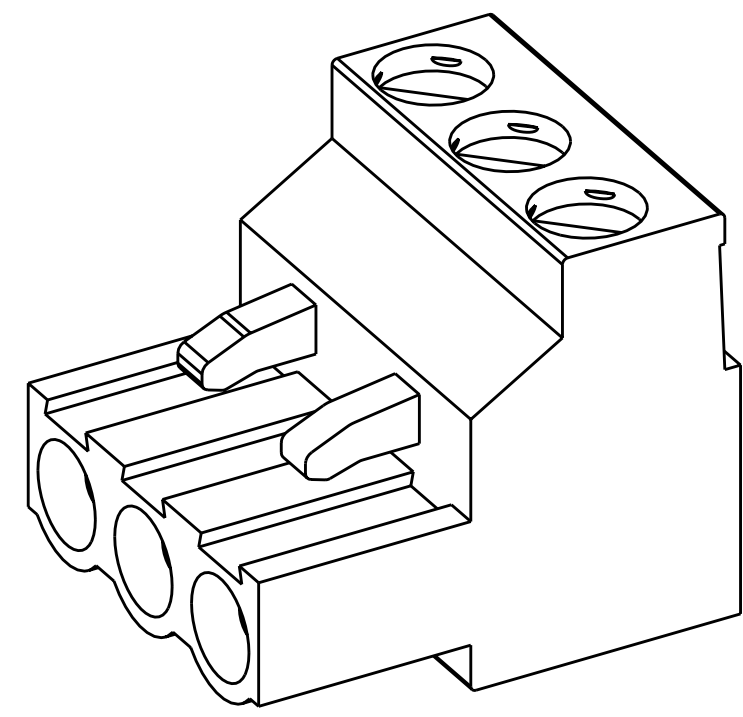
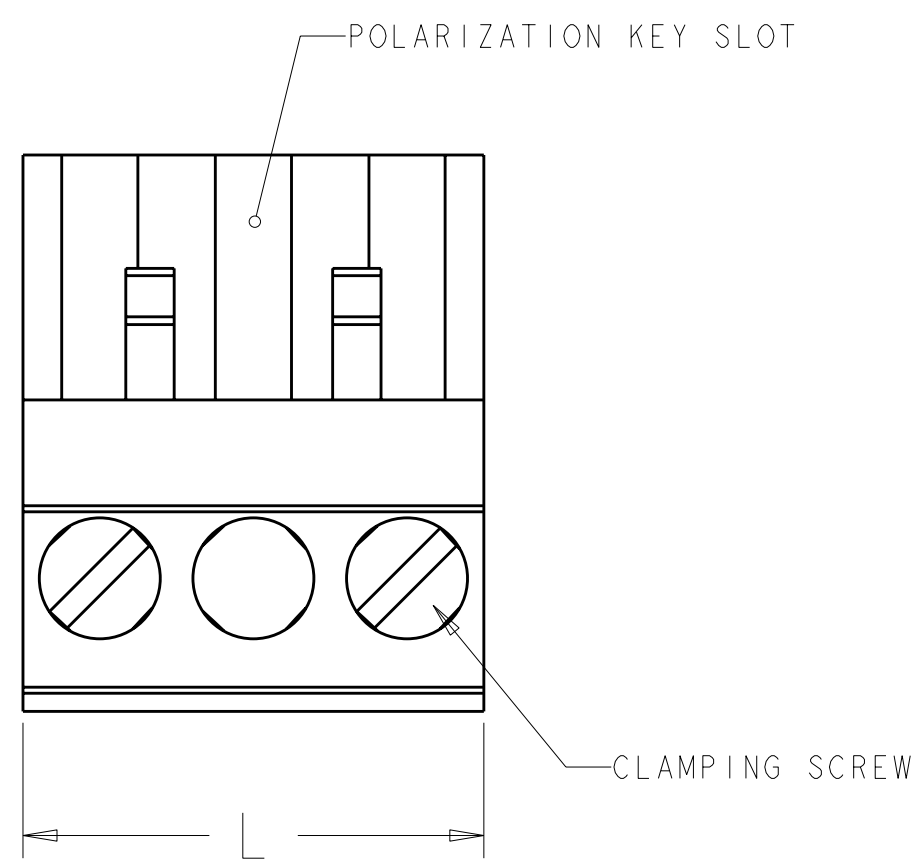
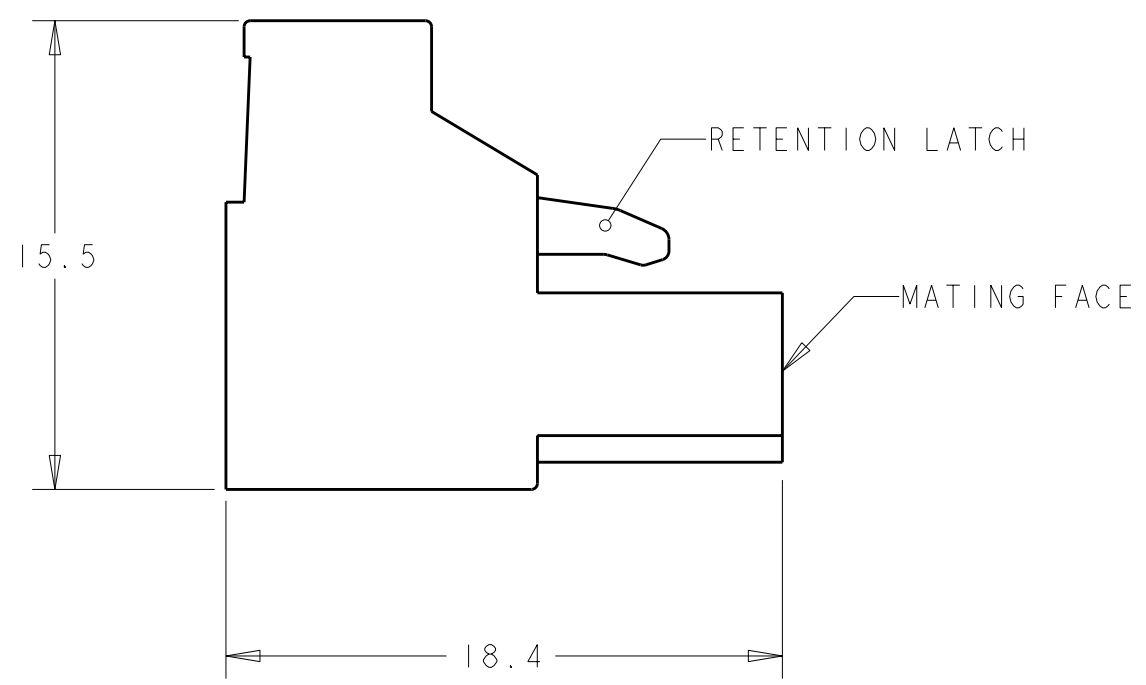
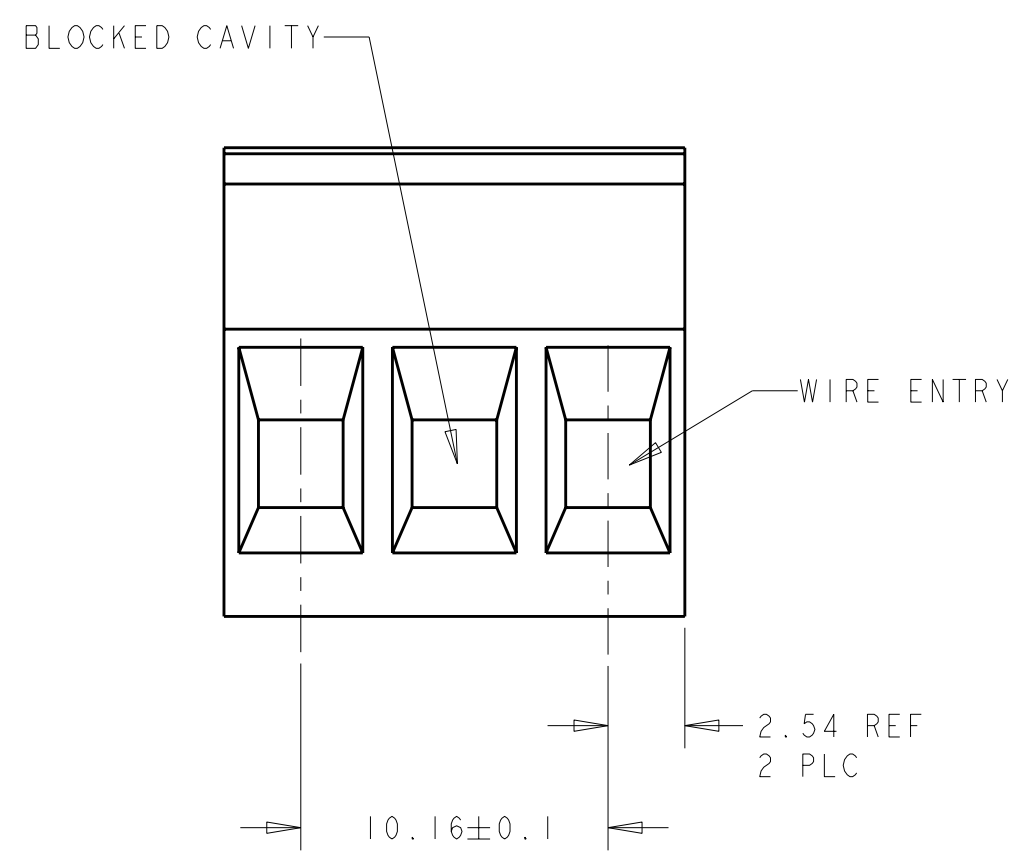
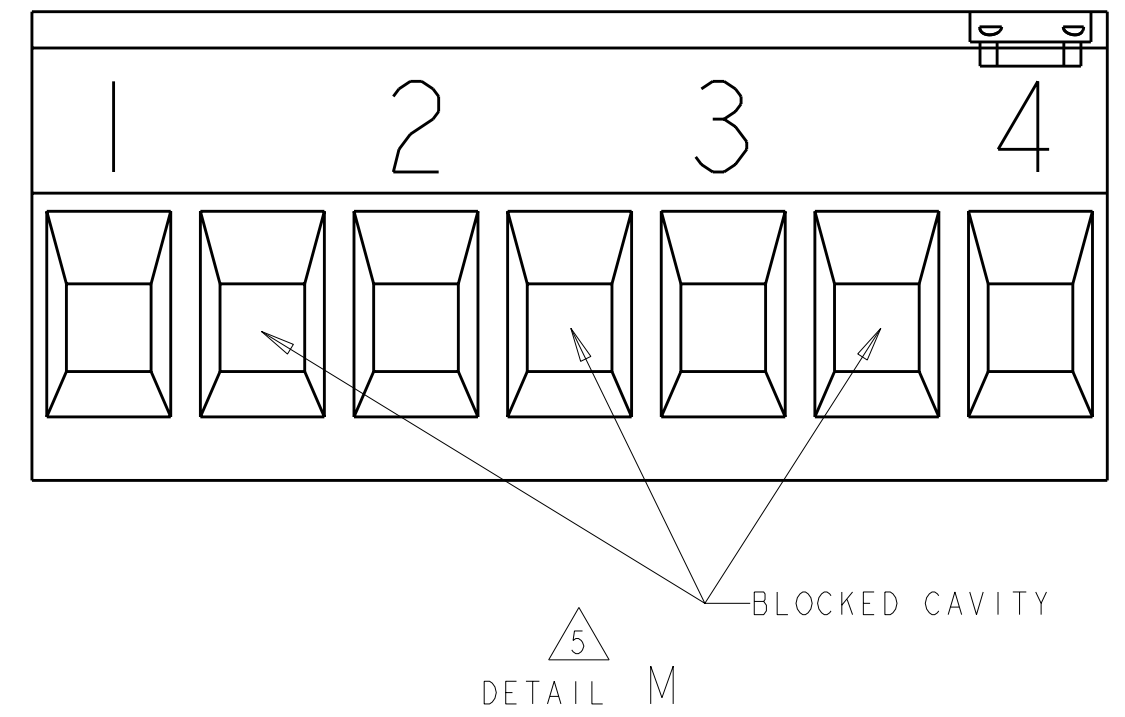


THIS DRAWING IS UNPUBLISHED. RELEASED FOR PUBLICATION 20
 © COPYRIGHT 20 BY TYCO ELECTRONICS CORPORATION. ALL RIGHTS RESERVED.

| LOC | DIST | REVISIONS | | | |
|-----|------|---------------------------|-----------|-----|------|
| P | LTR | DESCRIPTION | DATE | DWN | APVD |
| FT | 0 | | | | |
| | D1 | REVISED ECO-06-010233 | 03MAY2006 | SW | CR |
| | E | REVISED PER ECO-07-007802 | 04APR2007 | SS | CR |



282809-3 AS SHOWN



- MATERIALS AND FINISH:
 HOUSING: PA 6-6, UL 94-V0, COLOR: SEE TABLE.
 CLAMP: BRASS, NICKEL PLATED.
 CONTACT SPRING: PHOSPHOR BRONZE, TIN PLATED.
 CLAMPING SCREW: M3, BRASS, NICKEL PLATED.
 - WIRE SIZE RANGE: 12-30 AWG.
 - RECOGNIZED UNDER THE COMPONENT PROGRAM OF UNDERWRITERS LABORATORIES INC. FILE N° E60677.
 - IMO CERTIFICATE WITH SURVEILLANCE IN CONFORMITY WITH IEC 998-1/998-2-1.
- △ INK MARKING, WHITE COLOR.

| DETAIL M | HOUSING COLOR | L | NO OF POSN | PART NUMBER |
|----------|---------------|--------|------------|-------------|
| DETAIL M | BLACK | 35.56 | 4 | 1-282809-5 |
| DETAIL M | GREEN | 35.56 | 4 | 1-282809-4 |
| - | GREEN | 127.00 | 13 | 1-282809-3 |
| - | GREEN | 116.84 | 12 | 1-282809-2 |
| - | GREEN | 106.68 | 11 | 1-282809-1 |
| - | GREEN | 96.52 | 10 | 1-282809-0 |
| - | GREEN | 86.36 | 9 | 282809-9 |
| - | GREEN | 75.20 | 8 | 282809-8 |
| - | GREEN | 66.04 | 7 | 282809-7 |
| - | GREEN | 55.88 | 6 | 282809-6 |
| - | GREEN | 45.72 | 5 | 282809-5 |
| - | GREEN | 35.56 | 4 | 282809-4 |
| - | GREEN | 25.40 | 3 | 282809-3 |
| - | GREEN | 15.24 | 2 | 282809-2 |

| | | | |
|---|--|--|---|
| THIS DRAWING IS A CONTROLLED DOCUMENT FOR TYCO ELECTRONICS CORPORATION. IT IS SUBJECT TO CHANGE AND THE CONTROLLING ENGINEERING ORGANIZATION SHOULD BE CONTACTED FOR THE LATEST REVISION. | | DWN E. ZANOLINI 23 JUL 2001 CHK D. BIEVENOUR 23 JUL 2001 APVD D. BIEVENOUR 23 JUL 2001 | Tyco Electronics Harrisburg, PA 17105-3608 |
| DIMENSIONS: mm TOLERANCES UNLESS OTHERWISE SPECIFIED: 0 PLC ± 1 PLC ±0.2 2 PLC ±0.25 3 PLC ±0.000 4 PLC ±0.0000 ANGLES ±2 FINISH | PRODUCT SPEC - APPLICATION SPEC - WEIGHT - | NAME: TERMINAL BLOCK, PLUG, 10.16mm PITCH SIZE: A2 CAGE CODE: 00779 DRAWING NO: 282809 RESTRICTED TO: - | |
| MATERIAL: - | | CUSTOMER DRAWING | |
| | | SCALE: 4:1 | SHEET 1 OF 1 REV E |